

# SINGLE COLOR LED

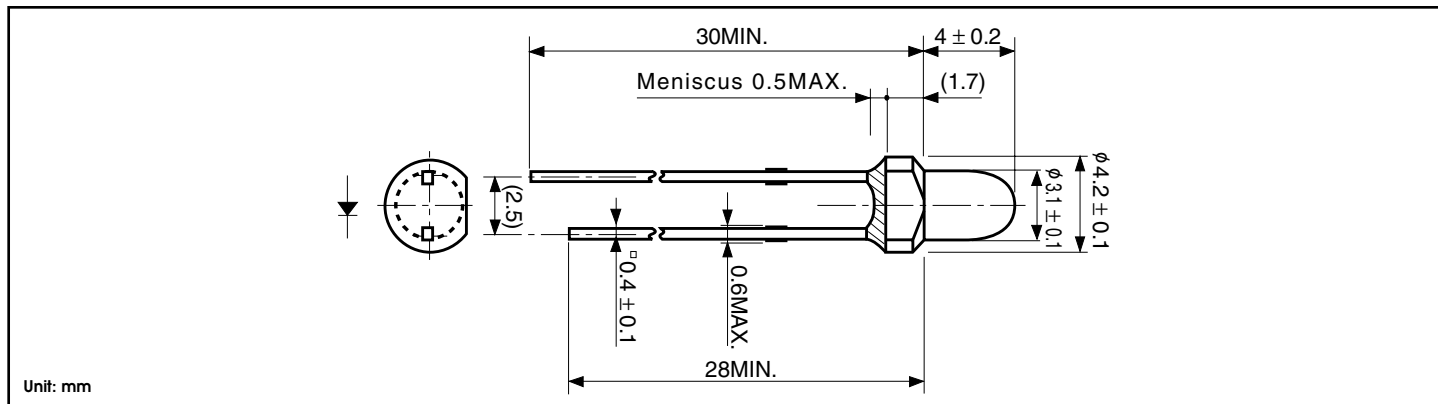
3mm Flush Mount Round Shape



## D\_3803X / F\_3863X Series

HIGH BRIGHTNESS COLOR

### Outline Dimensions



### Absolute Maximum Ratings

(Ta=25°C)

Item	Symbol	Blue	Blue Green	Green	Yellow		Orange		Red		Units
		DB	DC	DG	EFY	FY	EFA	FA	EFR	FR	
Power Dissipation	Pd	100	100	100	125	125	125	125	125	125	mW
Forward Current	I <sub>F</sub>	25	25	25	50	50	50	50	50	50	mA
Peak Forward Current	I <sub>FM</sub>	60	60	60	200	200	200	200	200	200	mA
Reverse Voltage	V <sub>R</sub>	5	5	5	5	5	5	5	5	5	V
Operating Temperature	Topr	-40 to +85									°C
Storage Temperature	Tstg	-40 to +100									°C
Derating (DC)*	I <sub>F</sub>	0.33				0.67					mA/°C

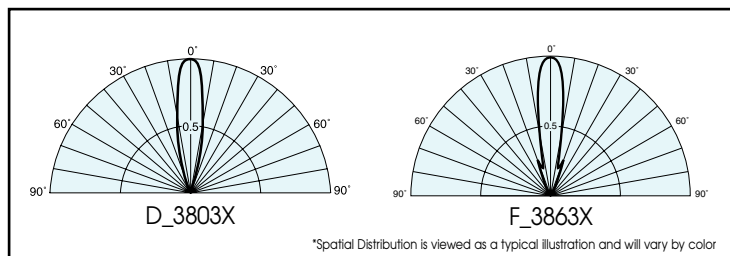
\* Ta=25°C, I<sub>FM</sub> applies for the pulse width 1 msec. and duty cycle 1/20. The current derating for operation applies when the temperature is above 25°C

### Electro-Optical Characteristics

\*The viewing angle is an average and will vary by color (Ta=25°C)

Part No.	Material	Emitted Color	Lens Color	Luminous Intensity I <sub>v</sub>			Wavelength Spectral Line				Forward Voltage V <sub>f</sub>			Reverse Current I <sub>R</sub>		Viewing Angle (2 / 2)
				MIN.	TYP.	I <sub>f</sub>	Peak λ TYP.	Dominant λ		Half Width	TYP.	MAX.	I <sub>f</sub>	MAX.	V <sub>r</sub>	
								TYP.	I <sub>f</sub>							
DB3803X	InGaN/Sic	Blue	Water Clear	250	500	20	467	470	26	20	3.5	4.0	20	100	5	20°
DC3803X	InGaN/Sic	Blue Green		600	1,200	20	502	505	30	20	3.5	4.0	20	100	5	
DG3803X	InGaN/Sic	Green		600	1,200	20	522	525	30	20	3.5	4.0	20	100	5	
EFY3863X	AllnGaP	Yellow	Clear Pastel Yellow	1,000	1,440	20	592	590	15	20	1.9	2.4	20	100	5	20°
FY3863X				360	720	20										
EFA3863X	AllnGaP	Orange	Clear Pastel Orange	1,120	1,600	20	609	605	15	20	1.9	2.4	20	100	5	20°
FA3863X				400	800	20										
EFR3863X	AllnGaP	Red	Clear Pastel Red	900	1,280	20	635	626	15	20	1.9	2.4	20	100	5	20°
FR3863X				320	640	20										
Units				mcd	mA		nm		mA	V	mA	µA	V	Deg.		

### Spatial Distribution (x)



### Operation Current Derating Chart

